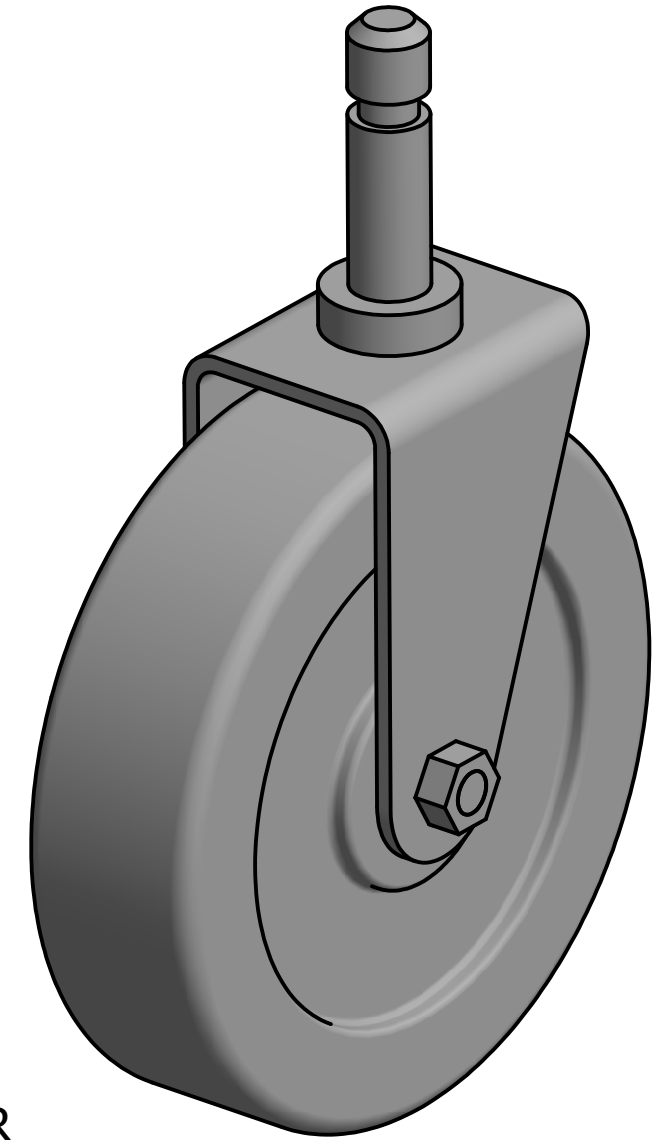
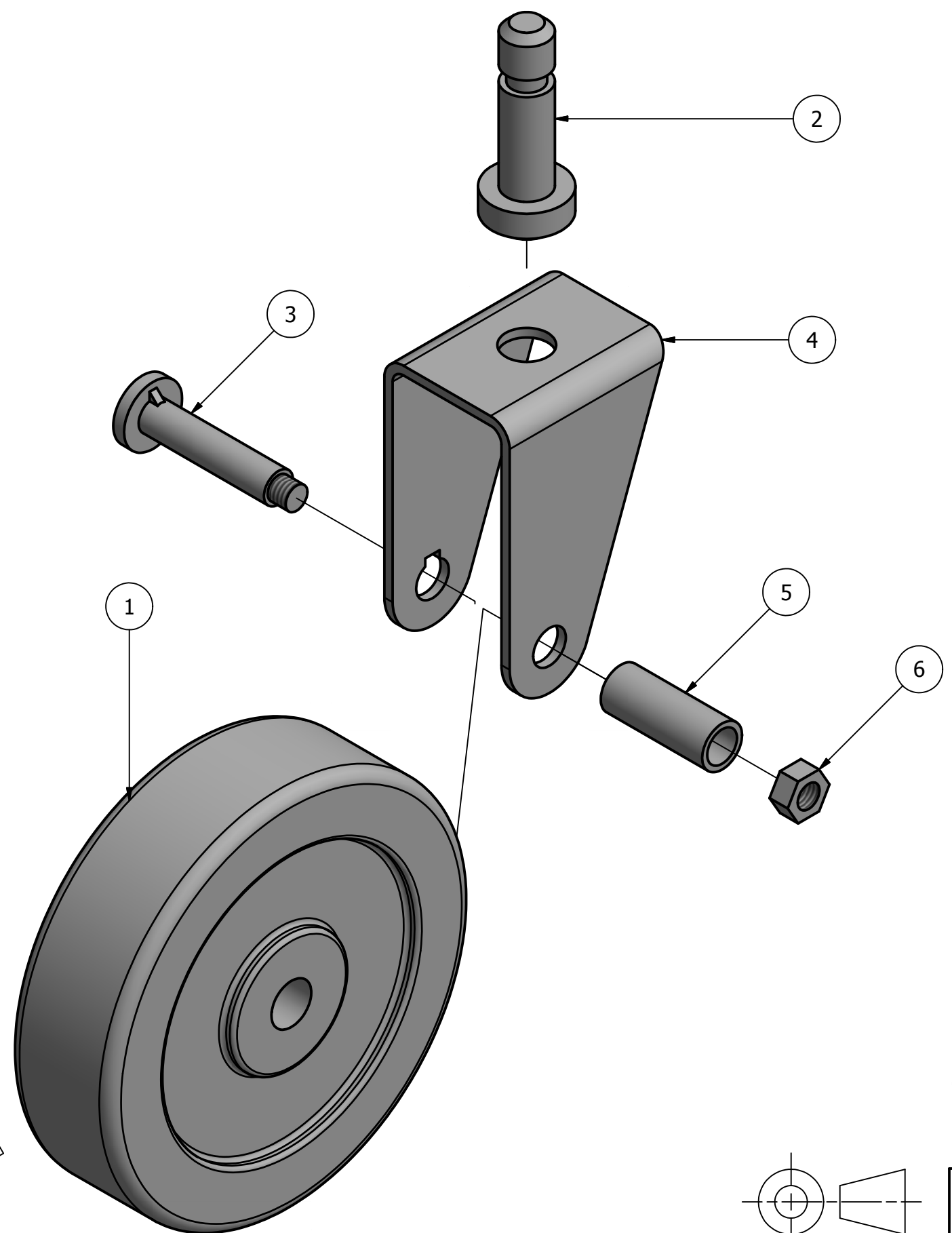


PRODUCED BY AN AUTODESK EDUCATIONAL PRODUCT

PRODUCED BY AN AUTODESK EDUCATIONAL PRODUCT

PARTS LIST			
ITEM	QTY	PART NUMBER	DESCRIPTION
1	1	WHEEL	TYP
2	1	POST	TYP
3	1	SHAFT BOLT	M6 ASME B 1.13M
4	1	BRACKET	MATL - 2.29 (NO. 13G S GA)
5	1	BUSHING	TYP
6	1	HEX NUT	M6

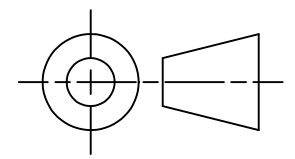


CASTER
SCALE 1 : 1

LEGEND:

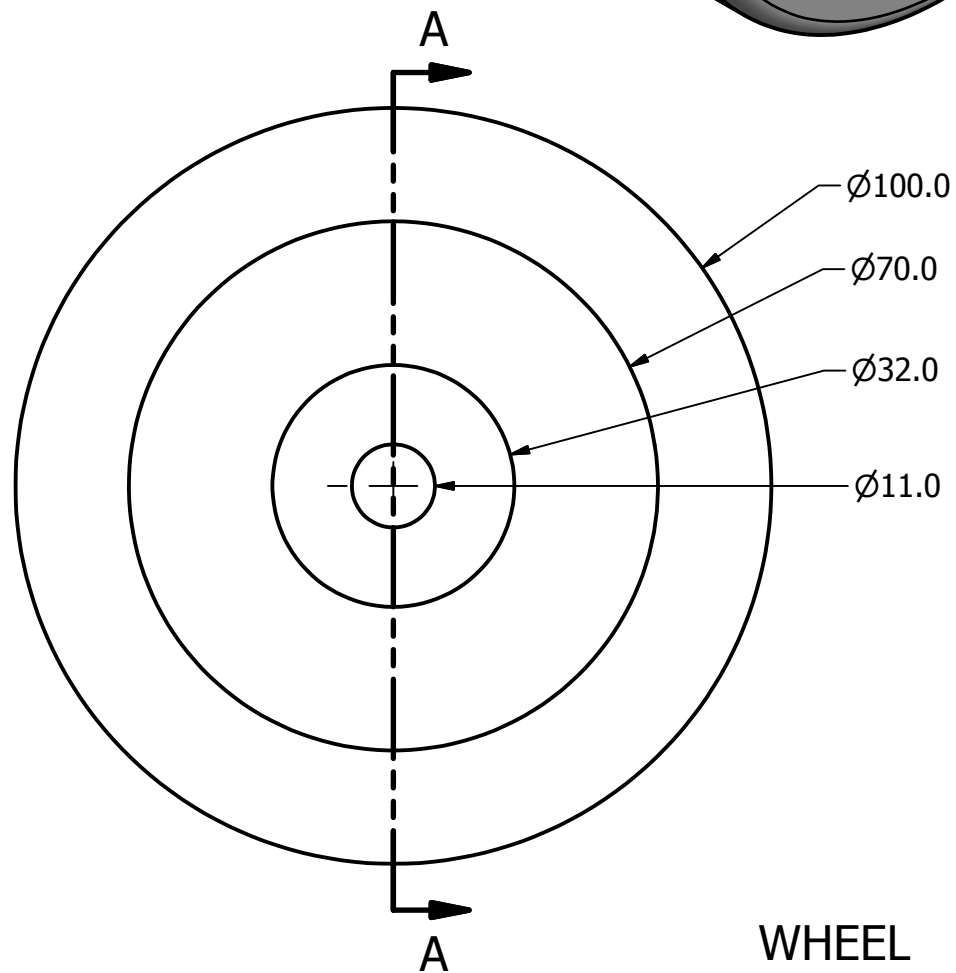
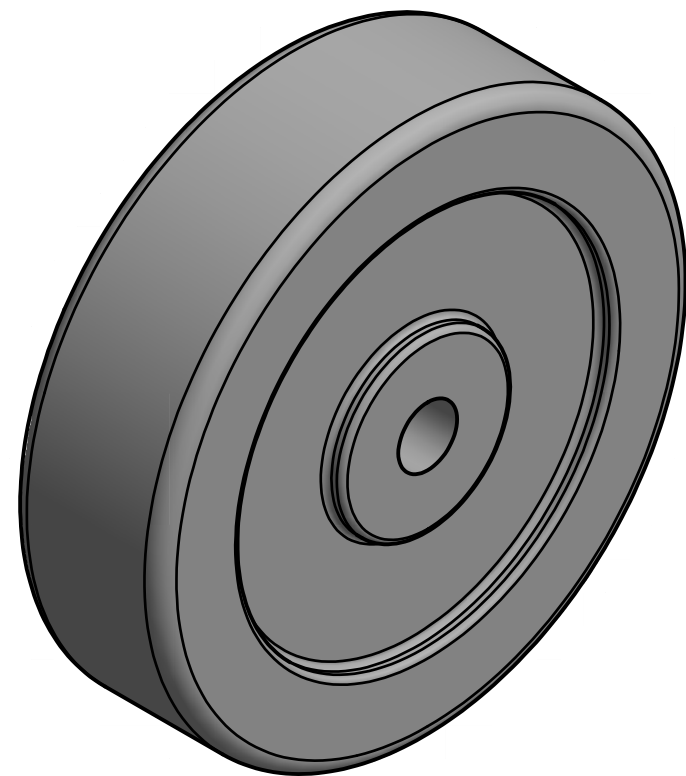
- ∅ - DIAMETER
- ° - DEGREE
- R - RADIUS

METRIC

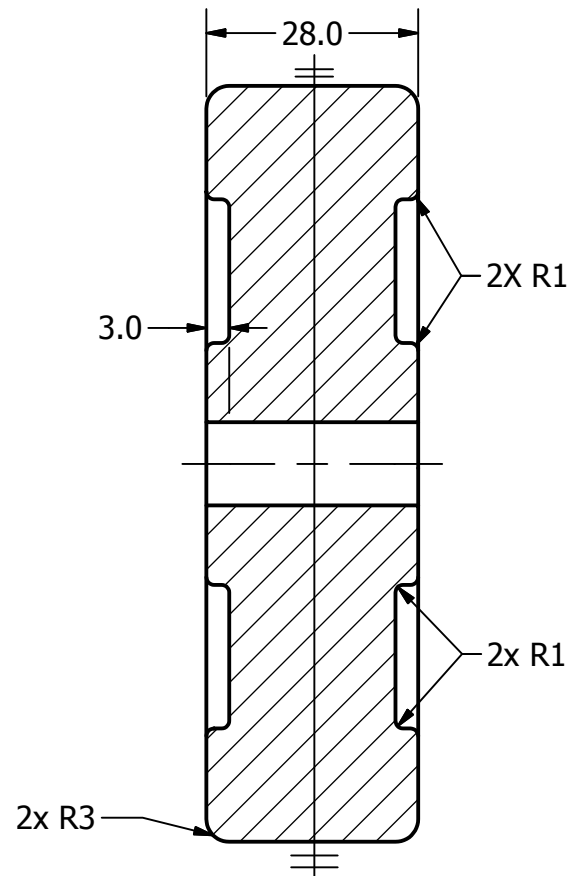


DIGITAL DESIGN GRAPHICS TECHNOLOGY	NAME: ISRAEL VALENCIA	DWG NAME: 12-21	SHEET NO: 1 OF 3
	COURSE: DDGT 120	CASTER	
	DATE: 11/15/2012	SCALE: AS NOTED	

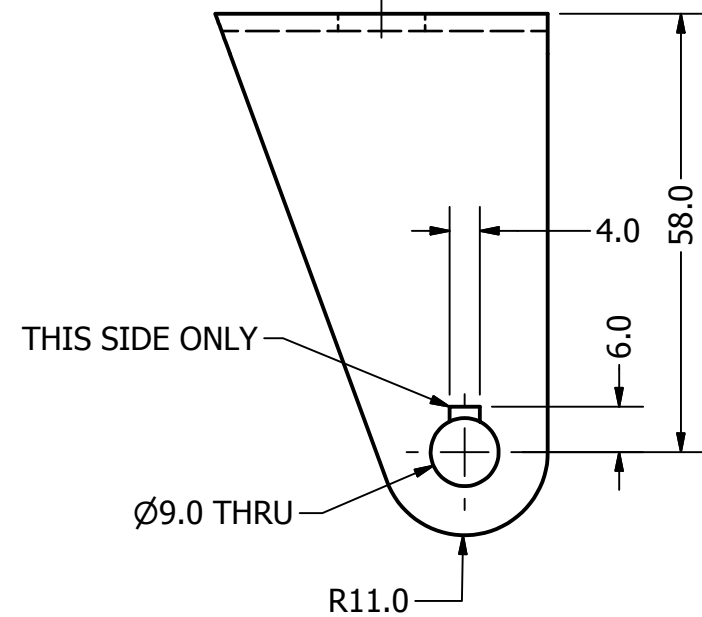
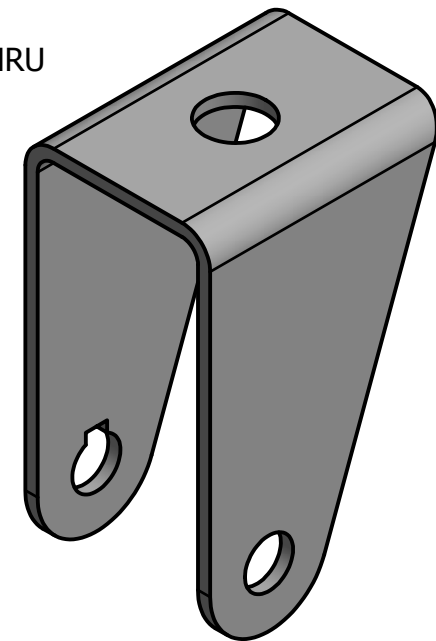
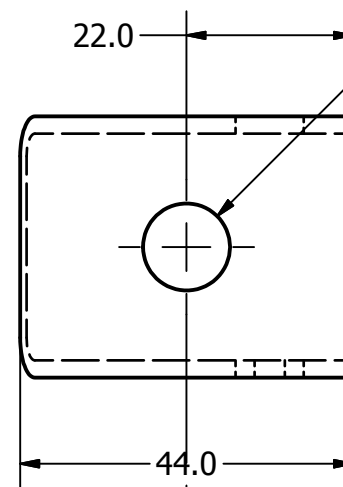
PARTS LIST		
ITEM	QTY	PART NUMBER
1	1	WHEEL
4	1	BRACKET



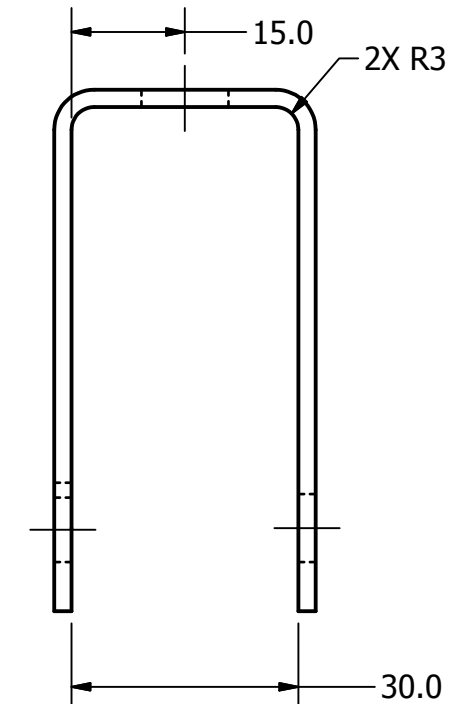
WHEEL
SCALE 1 : 1



SECTION A-A
SCALE 1 : 1



BRACKET
SCALE 1 : 1

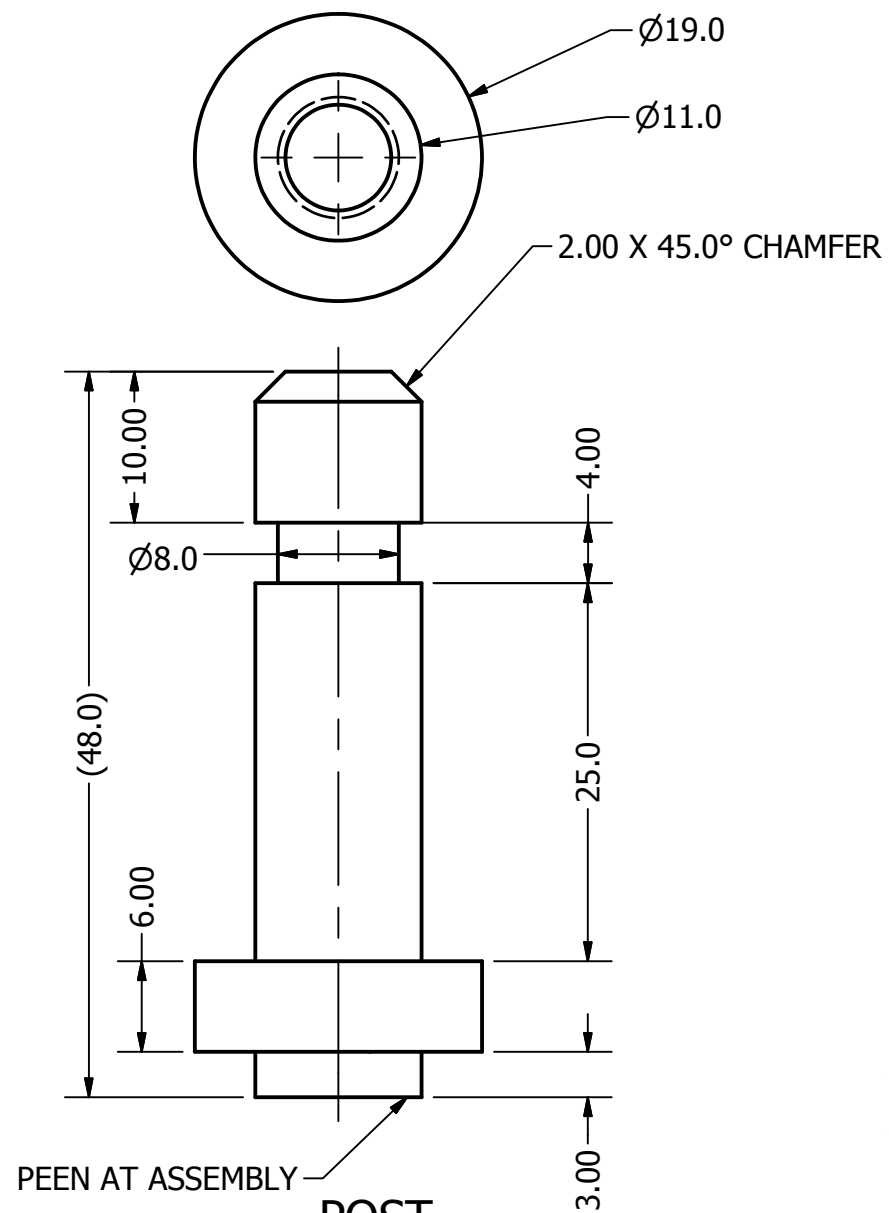


DIGITAL DESIGN GRAPHICS TECHNOLOGY	NAME: ISRAEL VALENCIA	DWG NAME: 12-21	SHEET NO: 2 OF 3
	COURSE: DDGT 120	CASTER	
	DATE: 11/15/2012	SCALE: AS NOTED	

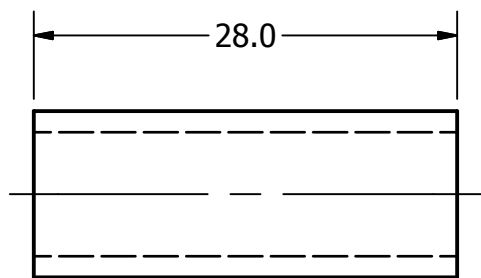
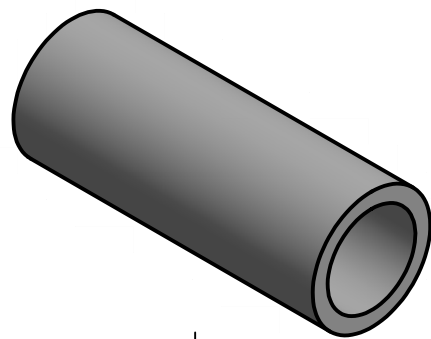
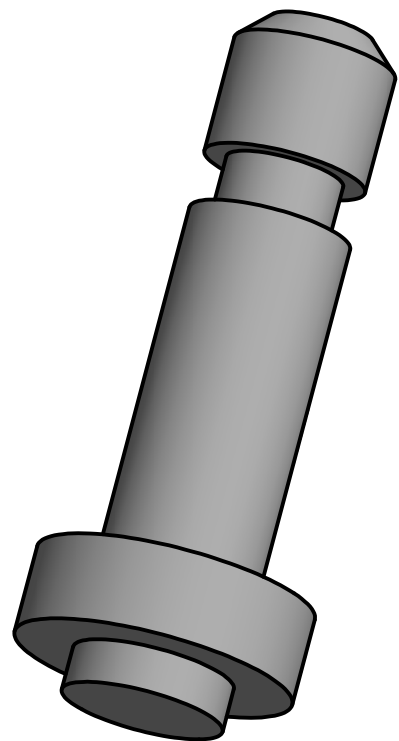
PRODUCED BY AN AUTODESK EDUCATIONAL PRODUCT

PRODUCED BY AN AUTODESK EDUCATIONAL PRODUCT

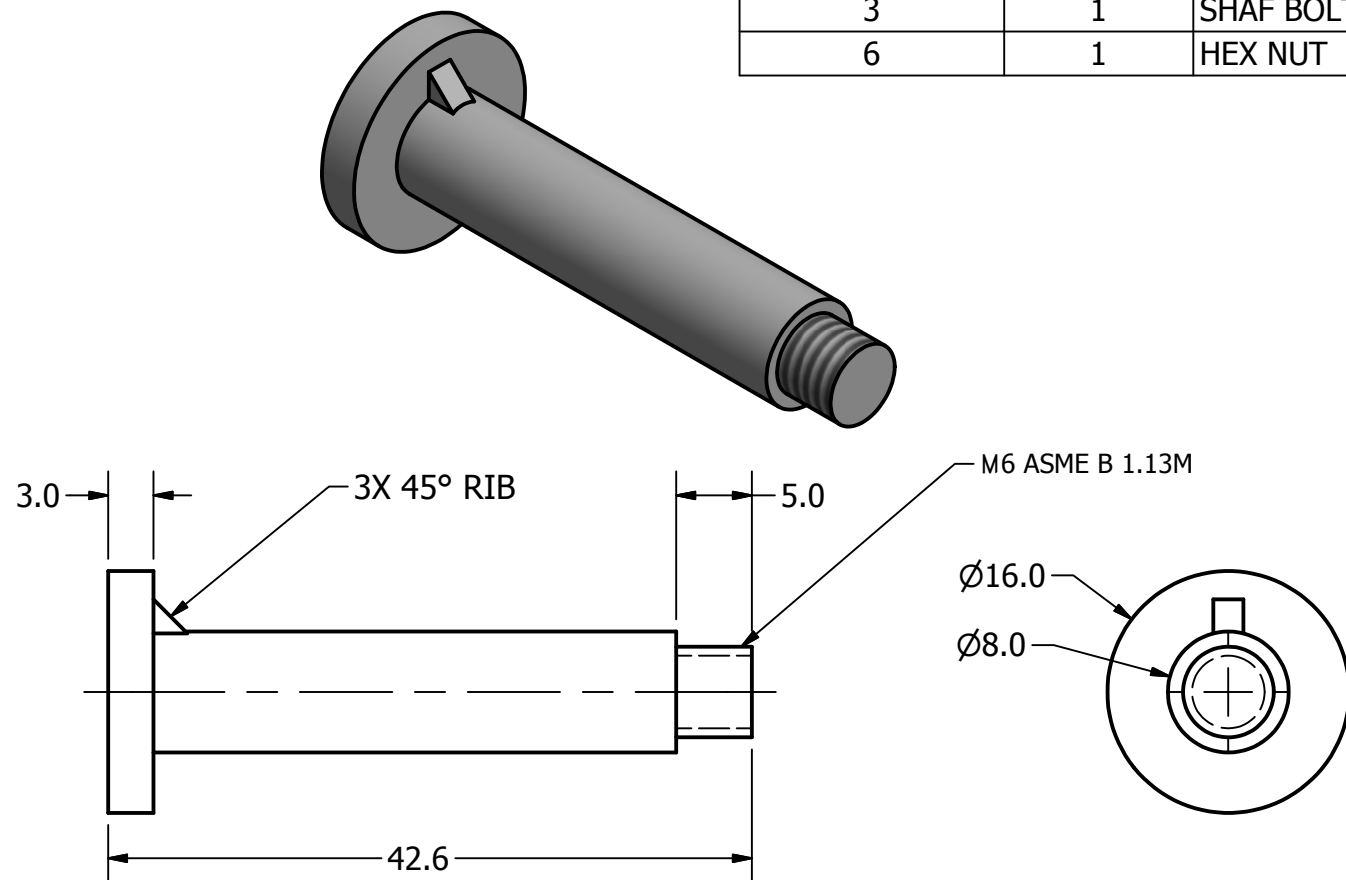
PARTS LIST		
ITEM	QTY	PART NUMBER
2	1	POST
3	1	SHAF BOLT
6	1	HEX NUT



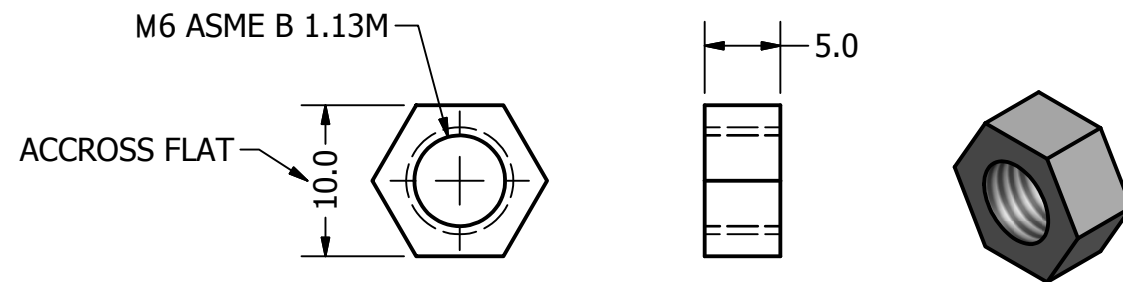
POST
SCALE 2 : 1



BUSHING
SCALE 2 : 1



SHAFT BOLT
SCALE 2 : 1



HEX NUT
SCALE 2 : 1

DIGITAL DESIGN GRAPHICS TECHNOLOGY	NAME: ISRAEL VALENCIA	DWG NAME: 12-21	SHEET NO: 3 OF 3
	COURSE: DDGT 120	CASTER	
	DATE: 11/15/2012	SCALE: AS NOTED	